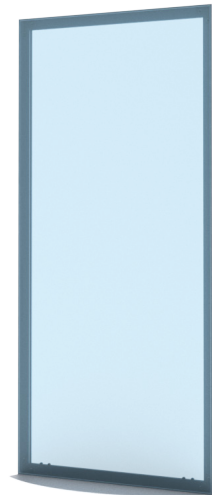
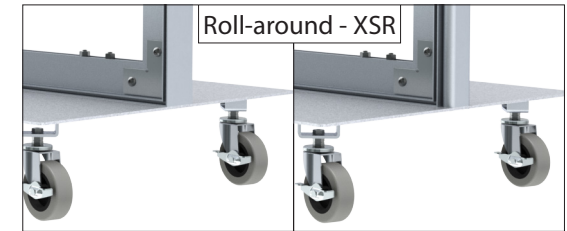
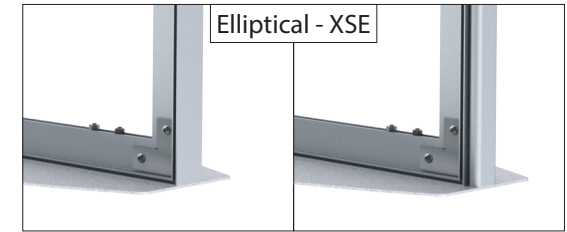


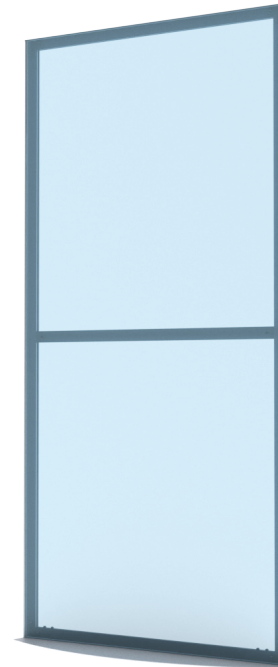
Charisma SEG Epic Stand™ - XS Series

1. Connect all sides of the frame using the hex screws and hex key provided, but do not full tighten. Once all sides are connected, fully tighten all corners.
Note: -U units have uprights preattached to vertical frame sides.
2. *Crossbar installation required for 96" high units ONLY:* Use the hex key provided to loosen the end brackets fully, place the crossbar in the channel of the frame, then tighten the end brackets to secure the crossbar in place.
3. Connect the base to the frame using the screws and nuts provided.
4. install the graphics per instructions shown on the next page.

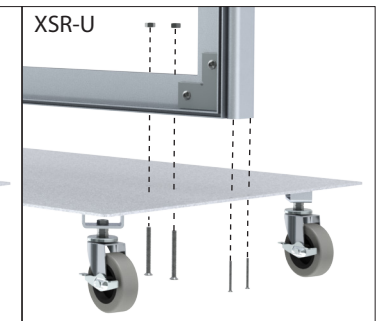
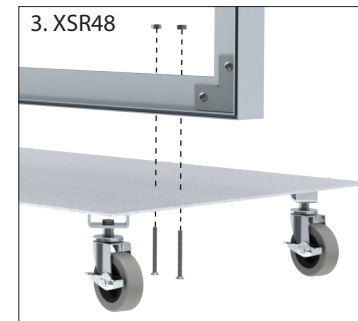
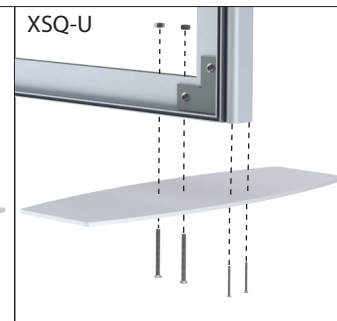
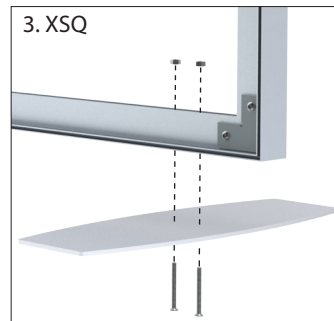
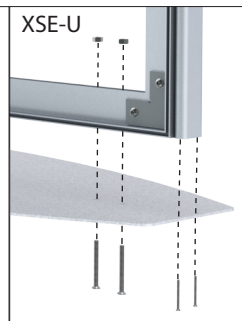
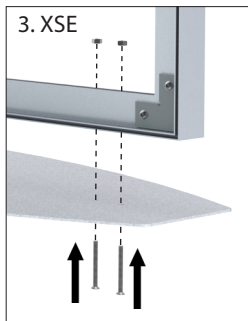
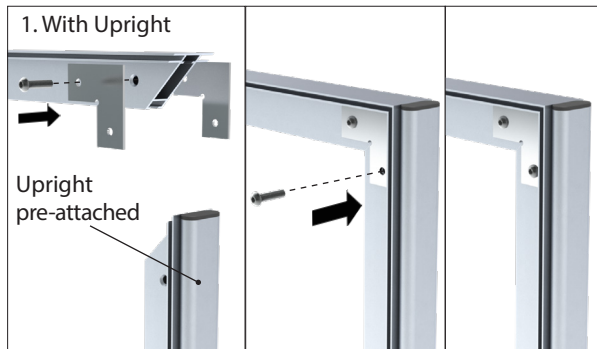
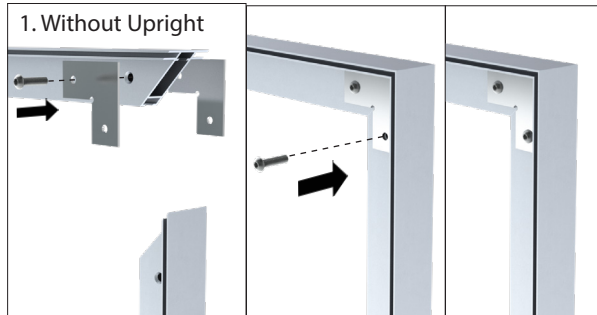
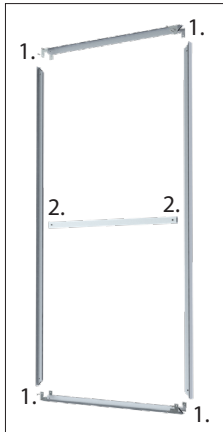
Without uprights With uprights (-U)



XSE36 shown



XSE48 shown



Charisma SEG Epic Stand™ - XS Series

Graphic Installation

1. To install the graphic, take Corner A with the pull tag on it and press about 6"-10" of silicone into the frame channel.
Repeat for the opposite Corner B. Repeat for Corner C. Lastly, repeat for the final corner.
2. After all corners are pressed in, press the silicone into the frame channel at the mid-points on all four sides.
This prevents the graphic from bunching up or stretching too much and will ensure a smooth and tight fit.
3. Press silicone into frame evenly between the corners and midpoints.
4. To remove the graphic from the frame, simply pull up on the pull tag.
5. Repeat graphic installation for reverse side (not shown).

